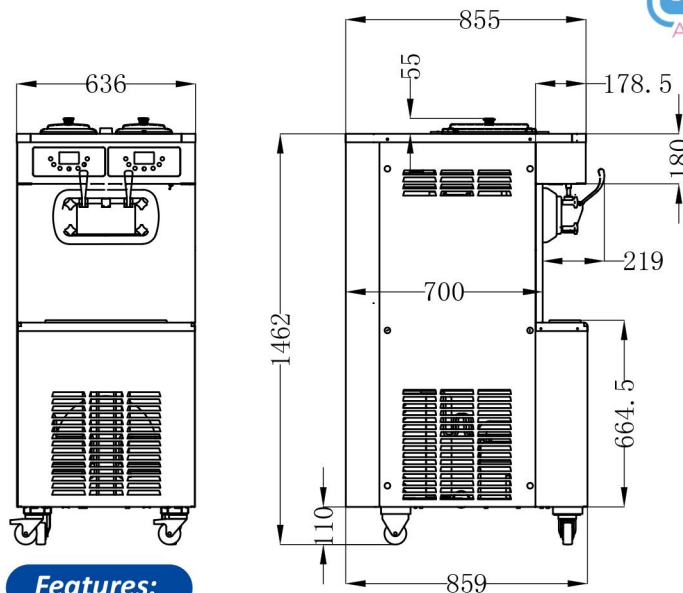


S520F Soft Serve Twin Twist Freezer Floor Standing



Technical Specs:

GENERAL INFO

MODEL NUMBER	S520F
TYPE	Floor Standing
PRODUCTION CAPACITY	55 L / H
NUMBER OF FLAVORS	3
NUMBER OF HOPPERS	2
HOPPER CAPACITY	12.5Lx2
SPECIFICATIONS	640*860*1520mm
CARTON SIZE	760*980*1640mm
NET WEIGHT	230kg
GROSS WEIGHT	250kg
CYLINDER CAPACITY	2Lx2
BEATER TYPE	stainless steel
HOPPER MIXER	standard
POWER	3.2Kw
SELF-CHECK	yes
LOW MIXTURE SENSOR	yes
FREQUENCY CONVERSION	yes

REFRIGERATION SYSTEM

NUMBER OF COMPRESSORS	2
COMPRESSOR BRAND	Aspera
COMPRESSOR CAPACITY	3753 Btu / hr x2
COMPRESSOR GAS	R404 A
GAS QUANTITY	700 g x2
REFRIGERATION TYPE	air cool / water cool

TRANSMISSION

NUMBER OF MOTORS	2
MOTOR CAPACITY	750 W x2

Features:

- Double control system: 2+1 twist flavors
- Offers all of the popular soft serve variations from low to non-fat ice creams, custards, yogurt, Italian ices and sorbet
- Serve two separate soft serve flavors, or an equal combination of both in a twist
- Redundant components use side while other side is off
- Self returning handles

SILENT

- Mute function, suitable for all types of environments

CONTINUOUS DISCHARGING ABILITY

- Ensures continuous discharge even during peak hours

STAND-BY FUNCTION

- Stand-by option for both hopper and cylinder
- Ensures that product temps are maintained for safety

IMPORTED CORE ACCESSORIES

- Aspera compressors and Danfoss expansion valves
- Ensures the service life of the machines

HOPPER AGITATOR

- Keeps liquid evenly cooled and mixed, resulting in longer lasting and better tasting product

INTEGRATED CYLINDER

- Cornered ends prevent bacterial growth
- Easy to wash

Product List:

Model Number	Voltage	Cooling Type	Power
S520FA2	220V/60Hz	Air Cool	3.8kw
S520FW2	220V/60Hz	Water Cool	3.8kw
S520FAP2	220V/60Hz	Air Cool	3.8kw
S520FWP2	20V/60Hz	Water Cool	3.8kw

*production capacity depends on the mix used and the room temperature
All specifications mentioned must be considered approximate; Pasma reserves the right to modify, without notice, all parts deemed necessary